

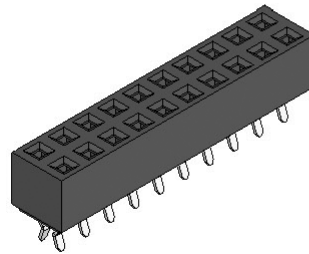
Female Header 2.54 mm

180° Series

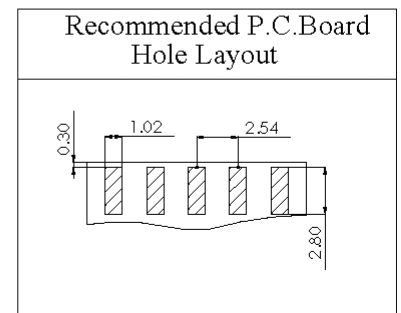
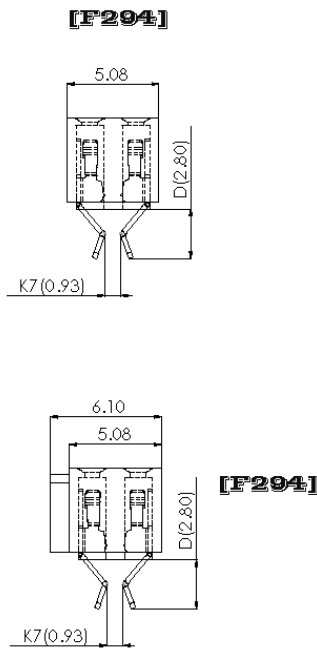
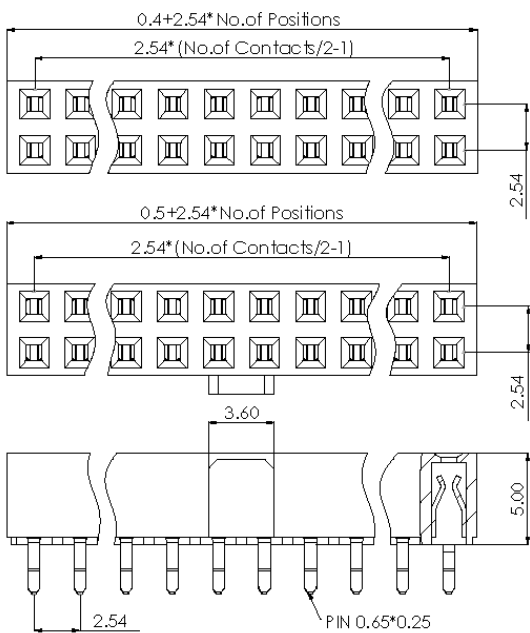
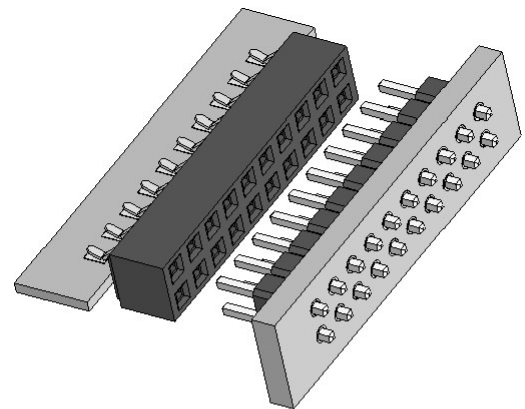
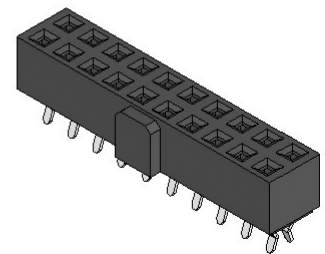
SPECIFICATIONS

- Current Rating: 3 A
- Insulator Resistance: 5000 MOhm min.
- Contact Resistance: 20 mOhm max.
- Dielectric Withstanding: AC 1000 V
- Operating Temperature: -40°C ~ +105°C
- Soldering Temperature: 260°C for 3~5 sec. max
- Contact Material: Phosphor Bronze
- Insulator Material: Polyester, UL 94V-0
- Standard: Nylon-6T
- Finish: Tin, Gold or Duplex Plated
- Standard: Gold Flash all over
- Note: Duplex Plating: Gold Plated on contact area, Tin on solder area

F294-K7GN-D028-XX



F294-K7GN-D028-XX-A



How to order

Unit: mm

Series	Connector Type	Contact Plating	Material	Pin Length mm	Number of Contacts	Other
FXXX	X	X	X	DXXX	XX	A
F294:F/H 2.54 H:5.00 Dual Row	K:"K"TYPE K7:0.93 ...	G:Gold Flash T:Tin Plated A:10U"Gold B:15U"Gold C:20U"Gold ⊙Duplex Plating D:Gold Flash/Tin (Standard:G)	P:PBT N:Nylon-6T (Standard:N)	K-D D028	(04 TO 80 Contacts)	A:With cutting polarization key